

Edge protectors

Edge protection profiles simplify the finishing of edges. They eliminate preparatory and follow-up work, neutralize respectively cover sheet metal edges. Furthermore, their decorative effect is often desired.

The edge protectors consist of a U-shaped metal base, either a steel strip or wire body, jacketed with PVC or rubber. Those guarantee a tight grip on the edge, even if radii or bends have to be covered. In some profiles, the clamping effect is heightened by PVC lips incorporated into the PVC jacket.

The edge protectors are pressed by hand or with a rubber or thermoplastic hammer onto the edge. Glues or special attachment aids are not required, installation is simple and quick.

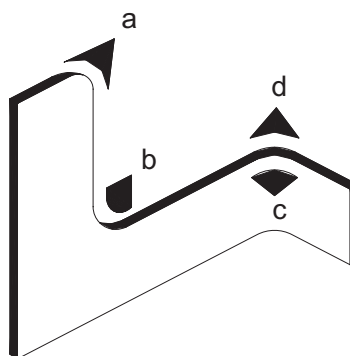
Manufacturing tolerances

PVC according to DIN 16941 3B

Tolerances of custom length based upon DIN ISO 3300-L3/16941 4B

Minimum bending radii

Please note that the minimum bending radii indicated are to be considered as guidelines which, depending on the material, clamping range and application of the profile used, may vary.



All profiles shown can be transformed into custom lengths, frames or rings. Different colours or materials such as food compatible, flame-resistant and self-extinguishing qualities upon request.

PVC with embedded steel base strip

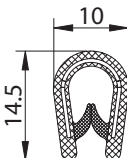
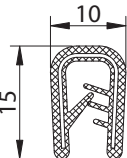
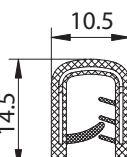
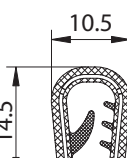
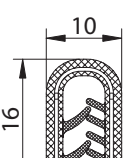
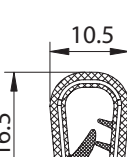
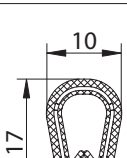
Design	Article reference	Colour	Clamping range [mm]	Sales unit [m]	Bending radius [mm]
	A1 009	black	0,8 - 1,5	100	A = 10 B = 10 C = 10 D = 10
	A1 010	black	1,0 - 2,0	100	A = 10
	A1 011	white			B = 10
	A1 012	grey			C = 10 D = 10
	A1 013	black	1,0 - 2,0	100	A = 15
	A1 014	white			B = 15
	A1 034	silver			C = 10 D = 10
	A1 023/2	black	1,0 - 2,5	100	A = 20
	A1 023/4		2,0 - 4,0		B = 20 C = 15 D = 15
	A2 051	black	1,0 - 3,0	100	A = 20 B = 20 C = 15 D = 15
	A3007	black	1,0 - 4,0	100	A = 30 B = 20 C = 20 D = 20
	A1 032 with wire carrier	black	1,0 - 2,5	50	A = 80 B = 80 C = 25 D = 25

*Upon request - Other profiles on stock.

PVC with embedded steel base strip

Sections

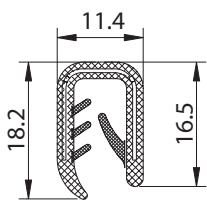
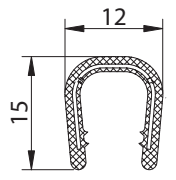
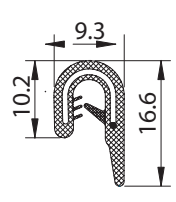
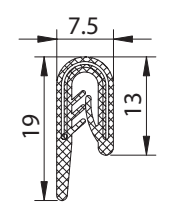
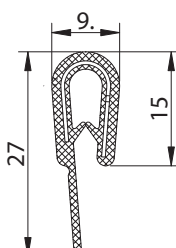
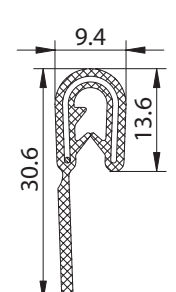
Edge Protectors

Design	Article reference	Colour	Clamping range [mm]	Sales unit [m]	Bending radius [mm]
	A1 015	black	1,0 - 4,0	100	A = 30
	A1 016	anthracite			B = 20
	A1 017	light grey			C = 20
	A1 022	white-grey			D = 20
	A2 072*	black	2,0 - 5,0	100	A = 30 B = 30 C = 20 D = 20
	A1 044	black	2,0 - 5,0	100	A = 40 B = 40 C = 20 D = 20
	A1 021	black	2,0 - 5,0	100	A = 40 B = 40 C = 20 D = 20
	A1 037	black	1,0 - 4,0	100	A = 50 B = 40 C = 30 D = 30
	A1 024/2	black	1,0 - 2,5	100	A = 50
	A1 024/4		2,0 - 4,0		B = 40
	A1 024/6		4,0 - 6,0		C = 30 D = 30
	A1 018	black	2,0 - 4,0	100	A = 40 B = 30 C = 20 D = 20

*Upon request - Other profiles on stock.

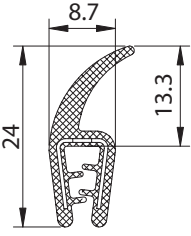
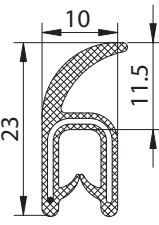
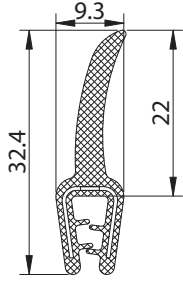
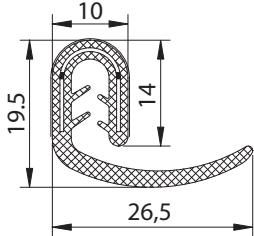
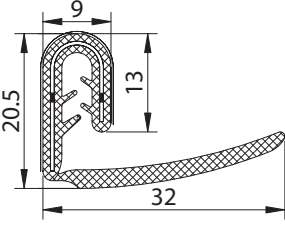
Other colours and materials upon request - Design modifications reserved

PVC with embedded steel base strip

Design	Article reference	Colour	Clamping range [mm]	Sales unit [m]	Bending radius [mm]
	A1 030	black	4,0 - 6,0	100	A = 40 B = 40 C = 30 D = 30
	A1 019/8 A1 020/8 A1 019/10 A1 020/10	black light grey black light grey	6,0 - 8,0 6,0 - 8,0 8,0 - 10,0 8,0 - 10,0	100	A = 40 B = 40 C = 40 D = 40
	A3129* with wire carrier	black	1,0 - 2,5	200	A = - B = 100 C = 30 D = 30
	A3360*	black	1,5 - 2,0	200	A = - B = 40 C = 30 D = 30
	A2 033*	black	1 - 2,5	2x50	A = 200 B = - C = 30 D = 30
	A3281*	black	1,5 - 2,0	50	A = - B = - C = 40 D = 40

*Upon request - Other profiles on stock.

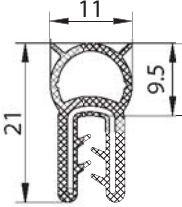
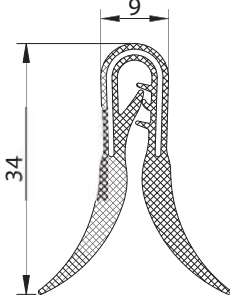
PVC with embedded steel base strip

Design	Article reference	Colour	Clamping range [mm]	Sales unit [m]	Bending radius [mm]
	A1 077 A2 813	black	0,5 - 3,0	100 50	A = 100 B = 150 C = - D = -
	A2 807* mit Drahtklemmband	black	1,0 - 3,0	200	A = 100 B = 200 C = 60 D = 100
	A1 075 A2 081	black	1,0 - 2,5	100 50	A = 150 B = 250 C = - D = -
	A2 063*	grey	1,0 - 3,0	50	A = 50 B = 50 C = - D = -
	A2 804* A2 805*	grey ivory	1,0 - 2,5	50,1	A = 50 B = 50 C = - D = -

*Upon request - Other profiles on stock.

Other colours and materials upon request - Design modifications reserved

PVC with embedded steel base strip

Design	Article reference	Colour	Clamping range [mm]	Sales unit [m]	Bending radius [mm]
	A2 257* (TPE) with wire carrier	pearly white	1,0 - 2,5	2x50	A = 80 B = 120 C = 40 D = 40
	A2 814* with wire carrier	black	2,0 - 5,0	50	A = 250 B = 150 C = 50 D = 50

*Upon request - Other profiles on stock.