

Special profiles

Sections

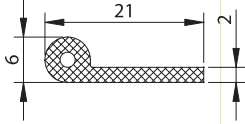
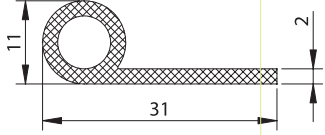
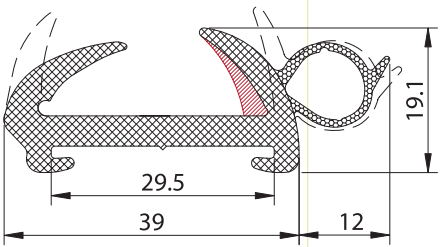
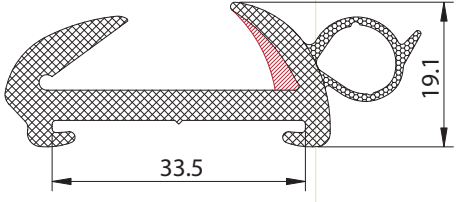
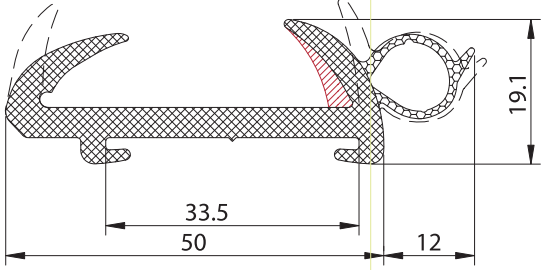
Special Profiles

Design	Article reference	Material	Colour	Sales unit [m]
	D1 159	EPDM	black	300
	D2 230*	EPDM	black	60 pcs of 3 m
	D2 166*	EPDM	black	40
	G2 125*	PVC	black	40
	D2 167	EPDM	black	40

*Upon request - Other profiles on stock.

Other colours and materials upon request - Design modifications reserved

Special profiles

Design	Article reference	Material	Colour	Sales unit [m]
	D1 119	EPDM	black	100
	D1 137	EPDM	black	50
	D2 422*	EPDM with Butyl	black	30
	D2 327*	EPDM with Butyl	black	30
	D2 455*	EPDM with Butyl	black	30

*Upon request - Other profiles on stock.